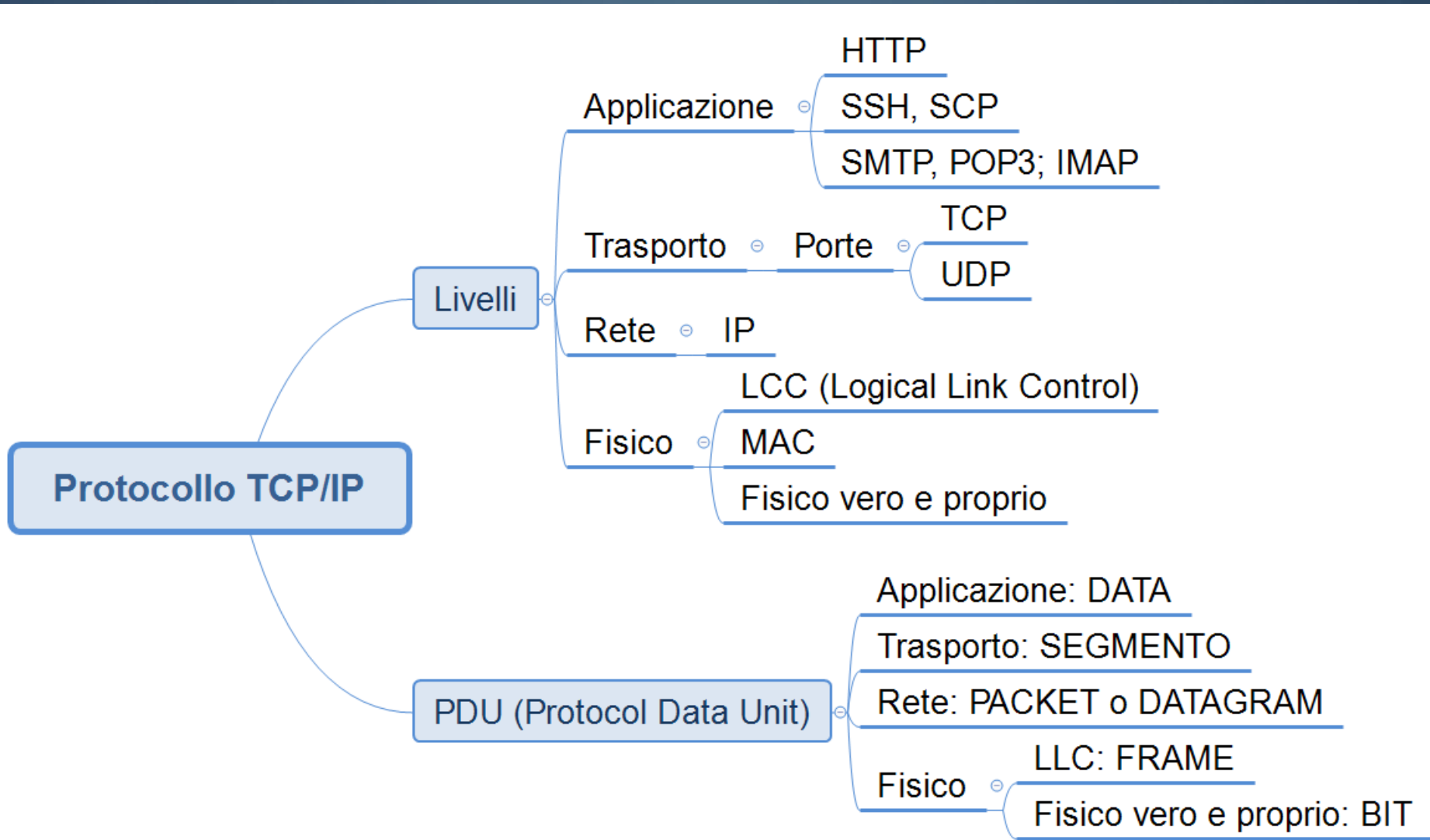
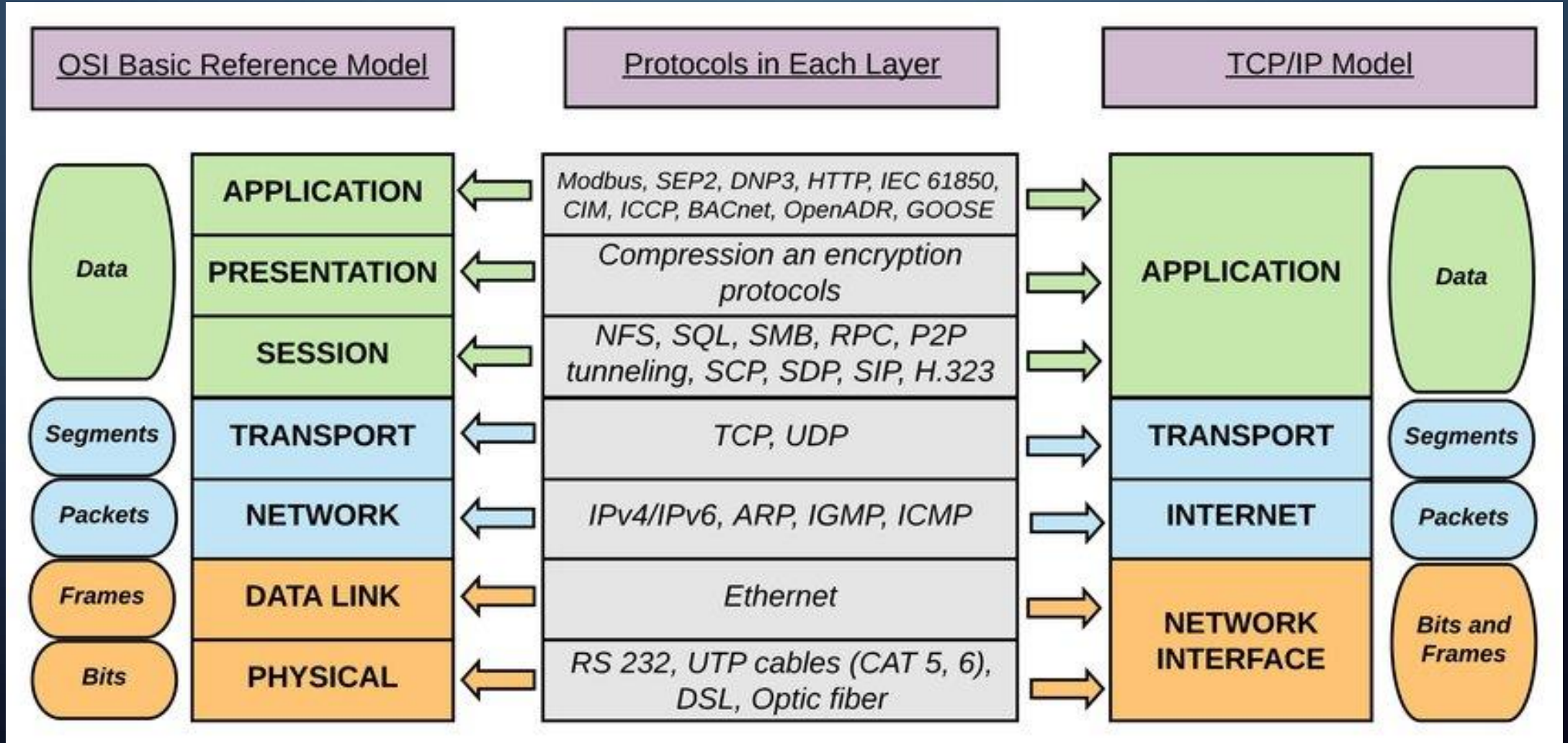


# TIPI DI DATO E LIVELLI



# STACK TCP/IP



# INDIRIZZAMENTO

Classe	Bit iniziali	Inizio intervallo	Fine intervallo
A	0	0.0.0.0	127.255.255.255
B	10	128.0.0.0	191.255.255.255
C	110	192.0.0.0	223.255.255.255
D (multicast)	1110	224.0.0.0	239.255.255.255
E	1111	240.0.0.0	255.255.255.255

Net bits	Subnet mask	total-addresses
/20	255.255.240.0	4096
/21	255.255.248.0	2048
/22	255.255.252.0	1024
/23	255.255.254.0	512
/24	255.255.255.0	256
/25	255.255.255.128	128
/26	255.255.255.192	64
/27	255.255.255.224	32
/28	255.255.255.240	16
/29	255.255.255.248	8
/30	255.255.255.252	4

Network	Host	
<div style="display: flex; justify-content: space-around; border-top: 1px solid black; border-bottom: 1px solid black;"> <span>192.168.001.123</span> <span>123</span> </div>		IP Address
<div style="display: flex; justify-content: space-around; border-top: 1px solid black; border-bottom: 1px solid black;"> <span>255.255.255.192</span> <span>192</span> </div>		Subnet Mask
<div style="display: flex; justify-content: space-around; border-top: 1px solid black; border-bottom: 1px solid black;"> <span>11000000.10101000.00000001.01111011</span> <span>111011</span> </div>		IP Address (Binary)
<div style="display: flex; justify-content: space-around; border-top: 1px solid black; border-bottom: 1px solid black;"> <span>11111111.11111111.11111111.11000000</span> <span>11000000</span> </div>		Subnet Mask (Binary)
<div style="display: flex; justify-content: space-around; border-top: 1px dashed black; border-bottom: 1px dashed black;"> <span>11000000.10101000.00000001.01000000</span> <span>000000</span> </div>		Network ID (Binary)
<div style="display: flex; justify-content: space-around; border-top: 1px dashed black; border-bottom: 1px dashed black;"> <span>11000000.10101000.00000001.01111111</span> <span>111111</span> </div>		Broadcast (Binary)
<div style="display: flex; justify-content: space-around; border-top: 1px solid black; border-bottom: 1px solid black;"> <span>192.168.001.64</span> <span>64</span> </div>		Network ID
<div style="display: flex; justify-content: space-around; border-top: 1px solid black; border-bottom: 1px solid black;"> <span>192.168.001.1</span> <span>1</span> </div>		First Host Address
<div style="display: flex; justify-content: space-around; border-top: 1px solid black; border-bottom: 1px solid black;"> <span>192.168.001.126</span> <span>126</span> </div>		Last Host Address
<div style="display: flex; justify-content: space-around; border-top: 1px solid black; border-bottom: 1px solid black;"> <span>192.168.001.127</span> <span>127</span> </div>		Broadcast

# HOST DISPONIBILI (INDIRIZZAMENTO CLASSFUL)

Tabella riassuntiva delle classi di indirizzamento

		Utilizzo bit (N: Network; H: Host)	Subnet mask	Reti disponibili	Host disponibili per rete	Indirizzi totali	Note
Classe	A	0NNNNNNN.HHHHHHHH.HHHHHHHH.HHHHHHHH	255.0.0.0 /8	128	16 777 216 (-2)	2 147 483 392	
	B	10NNNNNN.NNNNNNNN.HHHHHHHH.HHHHHHHH	255.255.0.0 /16	16 384	65 536 (-2)	1 073 709 056	
	C	110NNNNN.NNNNNNNN.NNNNNNNN.HHHHHHHH	255.255.255.0 /24	2 097 152	256 (-2)	532 676 608	
	D	1110XXXX.XXXXXXXX.XXXXXXXX.XXXXXXXX					Indirizzo <b>multicast</b>
	E	1111XXXX.XXXXXXXX.XXXXXXXX.XXXXXXXX					